

OPTION

REMOTE CONTROLLER

RT-110

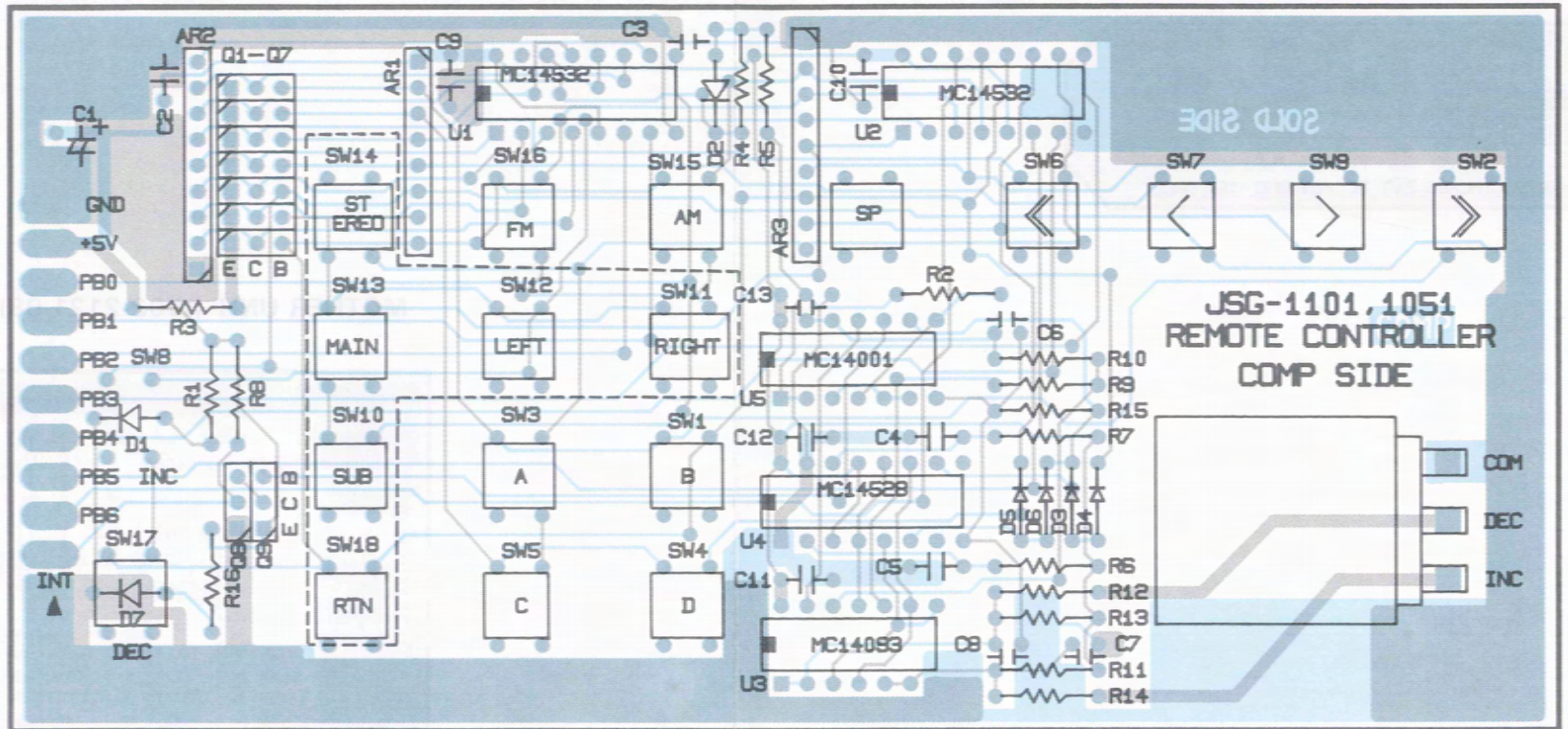
SERVICE MANUAL

KENWOOD CORPORATION

P.C. BOARD

RT-100 REMOTE UNIT (W02-2127-08)

TIU0 502



RT-100 UNIT

Y87-2670-00

REF. NO	PARTS NO	NAME & DESCRIPTION
	A01-1274-08	CASE
	A01-1275-08	CHASSIS
	B63-0119-00	INSTRUCTION MANUAL;ENG./JAP.
	E30-1928-08	SHIELD CABLE;200CM
	E59-0603-08	CONNECTOR
	G13-0748-08	RUBBER BUSHING
	J02-0531-08	RUBBER FOOT
	K21-0922-03	KNOB, ROTARY SW
	K29-0822-08	BUTTON;「A」, WHITE
	K29-0823-08	BUTTON;「B」, WHITE
	K29-0824-08	BUTTON;「C」, WHITE
	K29-0825-08	BUTTON;「D」, WHITE
	K29-0854-08	BUTTON;「RTN」, GRAY
	K29-0857-08	BUTTON;「〈」, BLUE
	K29-0858-08	BUTTON;「〈〈」, BLUE
	K29-0865-08	BUTTON; TRANSLUENT
	K29-0866-08	BUTTON;「FM」, WHITE
	K29-0867-08	BUTTON;「AM」, WHITE
	K29-0868-08	BUTTON;「MAIN」, WHITE
	K29-0869-08	BUTTON;「SUB」, WHITE
	K29-0870-08	BUTTON;「FM ST」, WHITE
	K29-0871-08	BUTTON;「L」, WHITE
	K29-0872-08	BUTTON;「R」, WHITE
	N35-3005-41	SCREW, BINDING M3X5